

TK700

BenQ DLP Projector



Features

- True 4K UHD 8.3 Million Pixels Resolution
- HDR Game Compatibility with Projector-optimized HDR10/HLG
- 3200 ANSI Lumens High Brightness for Bright Rooms
- 96% Rec.709 Color Space Coverage
- Immersive Audiovisual Game Modes for FPS
- Ultra Low Latency for Gaming: 4K: 16.67ms@60Hz, 1080p: 16.67ms@60Hz, 1080p: 8.33ms@120Hz, 1080p: 4.16ms@240Hz
- treVolo Speakers with MaxxAudio Technology



Product Specifications

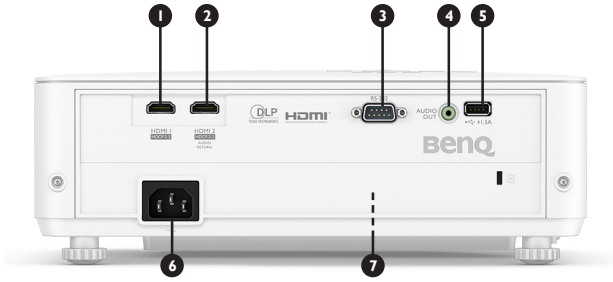
Projection System	DLP
DMD type	0.47" ECD
Native Resolution	4K UHD (3840 x 2160) Resolution
Brightness	3,200 ANSI Lumens
Contrast Ratio (FOFO)*	10,000 : 1
Display Color	30-bit (1.07 Billion Colors)
Aspect Ratio	Native 16 : 9 (5 aspect ratios selectable)
Light Source	240W Lamp
Light Source life**	Normal 4,000 / Eco 10,000 / SmartEco 8,000 / Lamp Save 15,000 hours
Throw Ratio	1.127~1.46 ; 100" @2.5m
Zoom Ratio	1.3x
Lens	F/# = 1.94~2.12; f = 11.9~15.5 mm
Keystone Correction	2D Keystone, Auto Vertical & Manual Horizontal +/- 30°
Projection Offset	110%
Projection Size (Clear Focus / Maximum)	60"~200" / 30" ~ 300"
Built-in Speaker	1 x 5W treVolo Speaker
Security	Security Bar, Kensington Lock
Features	HDR10 / HLG, 3D, 96% Rec.709, Picture Modes (Bright/Living Room/Game/Sport/Cinema/(HDR Game)/User1), Games Mode: FPS, Low Latency*** (4K: 16.67ms@60Hz 1080p: 16.67ms@60Hz 1080p: 8.33ms@120Hz 1080p: 4.16ms@240Hz)
Color Wheel Segment	RGBWRGBW
Resolution Support	VGA (640 x 480) to 4K UHD (3840 x 2160)
Horizontal Frequency	15K~135KHz
Vertical Scan Rate	23~240Hz
HDTV Compatibility	480i, 480p, 576i, 567p, 720p, 1080i, 1080p, 2160p
Video Compatibility	NTSC, PAL, SECAM, SDTV (480i/576i), EDTV (480p/576p), HDTV (720p, 1080i/p 60Hz)
Console Game Compatibility	PlayStation 5, Playstation 4 Pro, Playstation 4, Playstation 4 Slim, Xbox One X, Xbox One S, Nintendo Switch
Power Consumption (Max / Normal / Eco)	Max 380W, Normal 310W, Eco 215W Typical Power Consumption: (110V) 310W
Standby Power Consumption	<0.5W
Power Supply	AC 100 ~ 240 (50/60Hz)
Product Dimensions (W x H x D)	312 x 110 x 246 mm (12.2 x 4.3 x 9.6 inch)
Product Weight	3.1 kg (6.8 lbs)
Noise Level (Normal / Eco)	34 / 28 dBA
Operating Temperature	0 ~ 40°C (Celsius)
Accessories (Standard)	Power Cord (1.8m) Remote Control (RCV013) with Batteries (5JJGY06.001) Quick Start Guide Warranty Card (by region) Regulation Statements
Accessories (Optional)	Spare Lamp Kit 3D Glasses (DGD5) Universal Ceiling Mount (CMG3) QS01 HDMI Media Streaming (ATV dongle)
On Screen Display Language	Arabic / Bulgarian / Croatian / Czech / Danish / Dutch / English / Finnish / French / German / Greek / Hindi / Hungarian / Italian / Indonesian / Japanese / Korean / Norwegian / Polish / Portuguese / Romanian / Russian / Simplified Chinese / Spanish / Swedish / Turkish / Thai / Traditional Chinese (28 Languages)

* The contrast is measured by Full On Full Off standard.

** Lamp life results will vary depending on environmental conditions and usage. Actual product's features and specifications are subject to change without notice.

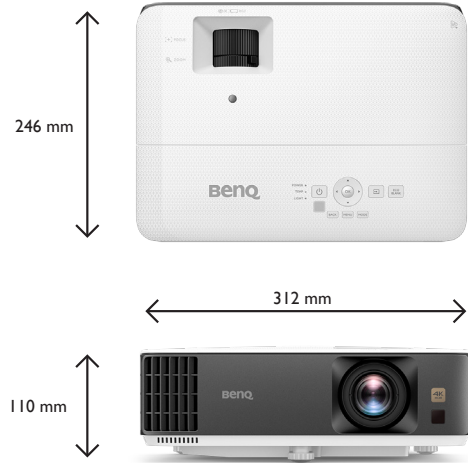
*** 4.16ms at 240Hz in 1080p. In order to minimize the response time, we suggest to set digital adjustments (such as Keystone/Overscan, etc) to 0.

Input and Output Terminals

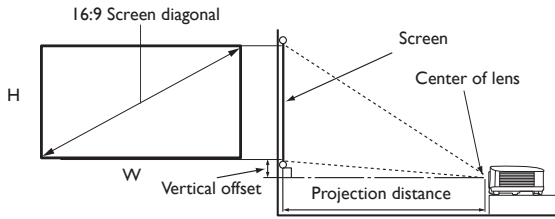


- 1 HDMI-1 (2.0b, HDCP2.2)
- 2 HDMI-2 (2.0b, HDCP2.2)
- 3 RS232 Input (D-sub 9pin, male)
- 4 Audio Output (mini jack)
- 5 USB Type A (5V/1.5A power, service)
- 6 AC Power cable inlet
- 7 HDMI-3 (HDCP2.2) for optional QS01 HDMI Dongle only

Dimensions



Distance Chart

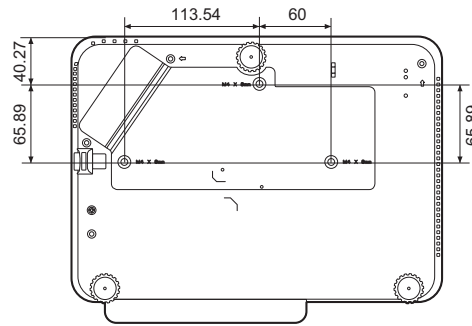


The screen aspect ratio is 16:9 and the projected picture is in 16:9

Screen size		Projection distance (mm)					Vertical offset
Diagonal	Height	Width	Min distance (max zoom)	Average	Max distance (min zoom)		
30	762	374	664	748	859	970	37
40	1016	498	886	998	1145	1293	50
50	1270	623	1107	1247	1432	1616	62
60	1524	747	1328	1497	1718	1939	75
70	1778	872	1550	1746	2004	2263	87
80	2032	996	1771	1996	2291	2586	100
90	2286	1121	1992	2245	2577	2909	112
100	2540	1245	2214	2495	2864	3232	125
110	2794	1370	2435	2744	3150	3555	137
120	3048	1494	2657	2994	3436	3879	149
130	3302	1619	2878	3243	3723	4202	162
140	3556	1743	3099	3493	4009	4525	174
150	3810	1868	3321	3742	4295	4848	187
160	4064	1992	3542	3992	4582	5171	199
170	4318	2117	3763	4241	4868	5495	212
180	4572	2241	3985	4491	5154	5818	224
190	4826	2366	4206	4740	5441	6141	237
200	5080	2491	4428	4990	5727	6464	249
210	5334	2615	4649	5239	6013	6788	262
220	5588	2740	4870	5489	6300	7111	274
230	5842	2864	5092	5738	6586	7434	286
240	6096	2989	5313	5988	6873	7757	299
250	6350	3113	5535	6237	7159	8080	311
260	6604	3238	5756	6487	7445	8404	324
270	6858	3362	5977	6736	7732	8727	336
280	7112	3487	6199	6986	8018	9050	349
290	7366	3611	6420	7235	8304	9373	361
300	7620	3736	6641	7485	8591	9696	374

Ceiling Mount Chart

Ceiling/Wall mount screw hole: M4 x 8 mm



Unit: mm

BenQ Europe B.V.

Meerenakkerweg 1-17
5652 AR Eindhoven
The Netherlands
Tel: +31 88 8889200
Fax: +31 88 8889299

BenQ.eu

© 2022 BenQ Corp. Specifications may vary by region, please visit your local stores for details. Actual product's features and specifications are subject to change without notice. This material may include corporate names and trademarks of third parties which are the properties of the third parties respectively.



www.copytel.com.mx
(624) 143-33-44 (612) 125-23-35 (624) 191-35-56
Los Cabos La Paz

/Grupo Copytel
@grupocopytel_bcs

